

SHS150-45-LFP

Semi-Solid-State

LFP

Capacity / Voltages

Typical	45 Ah	Voltages	Nominal	3.2 V
	144 Wh		Maximal	3.65 V
			Minimal	2.5 V

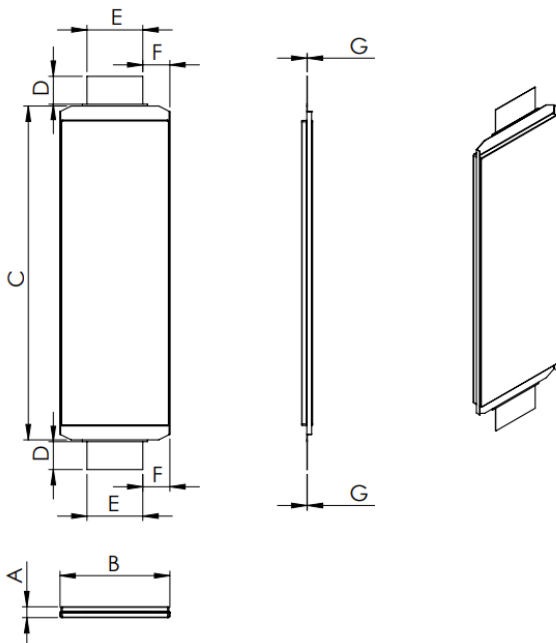
Characteristics

Discharging	Fast	1 C	Charging	Fast	1 C
	Standard	0.5 C		Standard	0.5 C

Temperatures	Discharge	-30-60°C	Charge	5-55°C
---------------------	-----------	----------	--------	--------

Energy Density	Gravimetric	148 Wh/kg	Volumetric	290 Wh/l
-----------------------	-------------	-----------	------------	----------

Dimensions



A	Thickness	11.7 ± 0.3 mm
B	Width	118 ± 1 mm
C	Length	359 ± 1 mm
D	Pole lug length	30 ± 1 mm
E	Pole lug width	60 ± 0.2 mm
F	Pole edge distance	29 ± 1 mm
G	Pole lug thickness +	0.4 ± 0.02 mm
G	Pole lug thickness -	0.3 ± 0.02 mm
	Weight	971 ± 10 g

The information contained herein is for reference only and does not imply a performance guarantee or a product warranty. Specifications and characteristics are subject to change without prior notice. General tolerance according to ISO 2768-m-K. For more information and detailed specifications, please request the extended datasheet.

